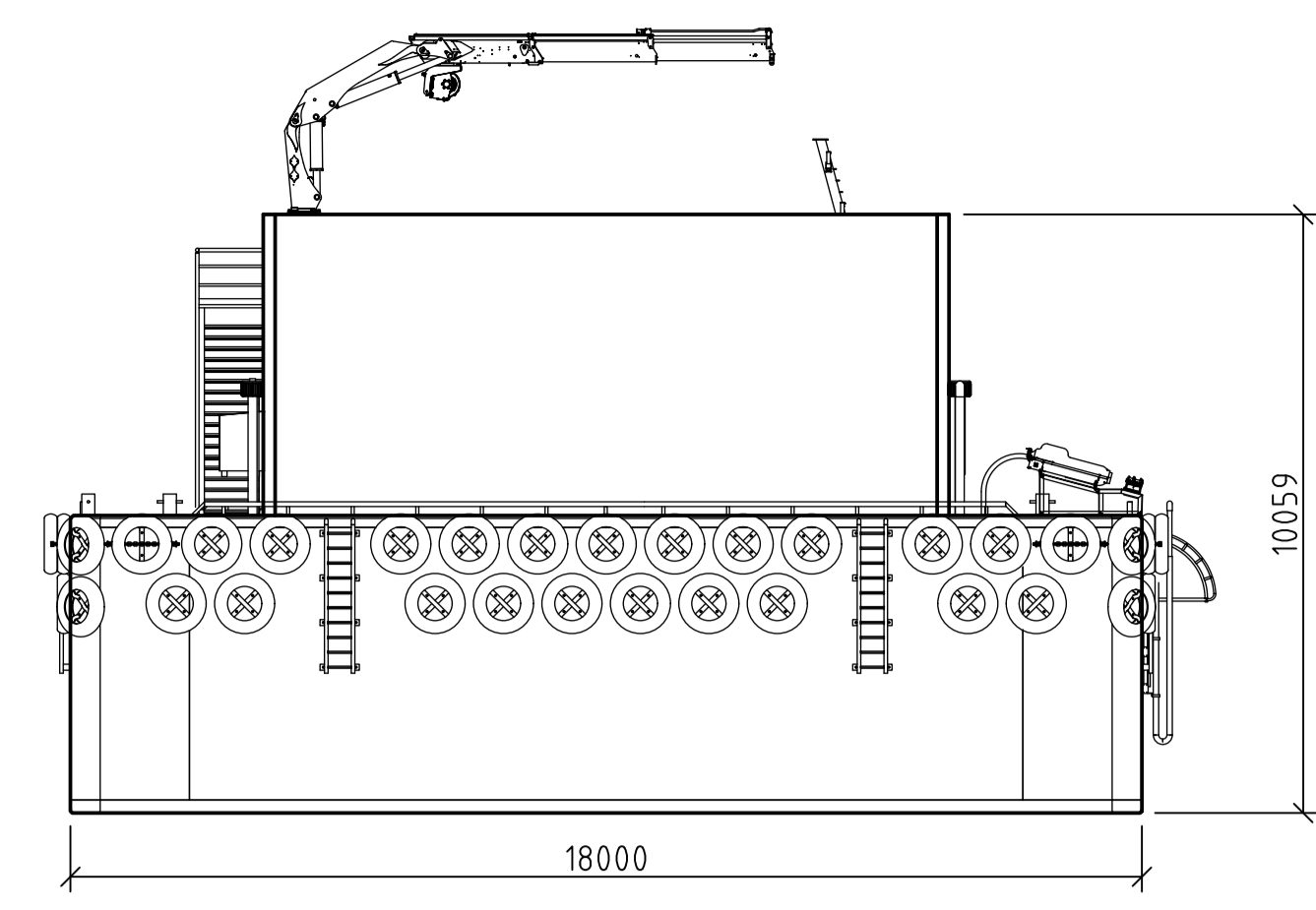
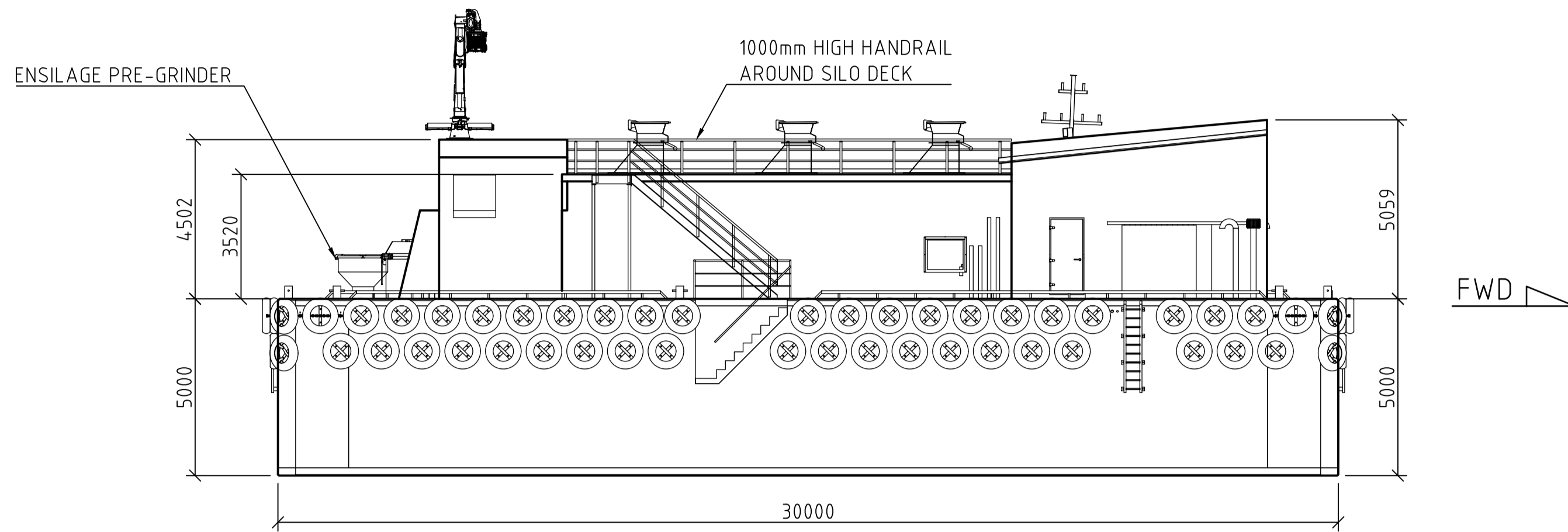


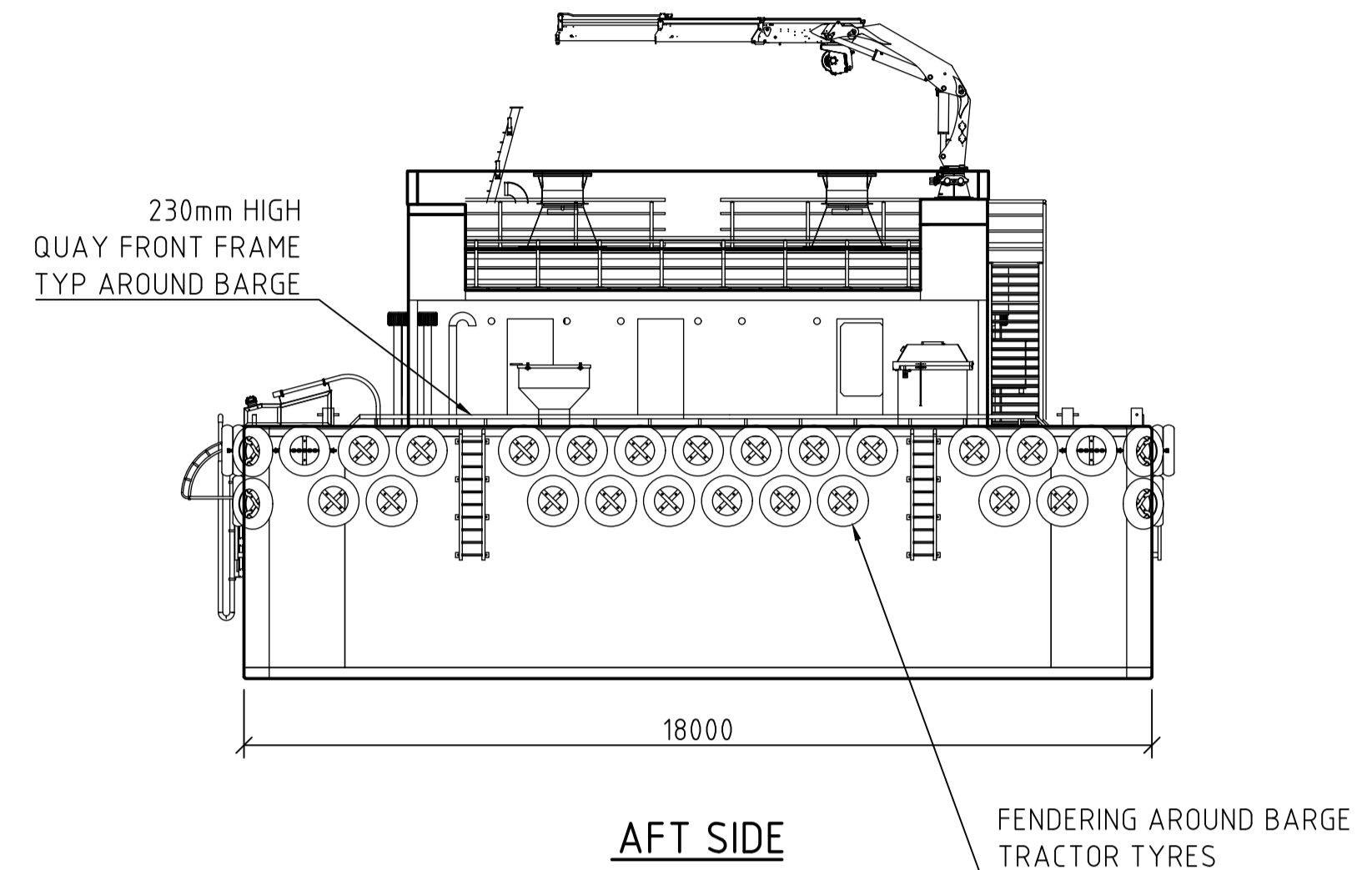
PORT SIDE



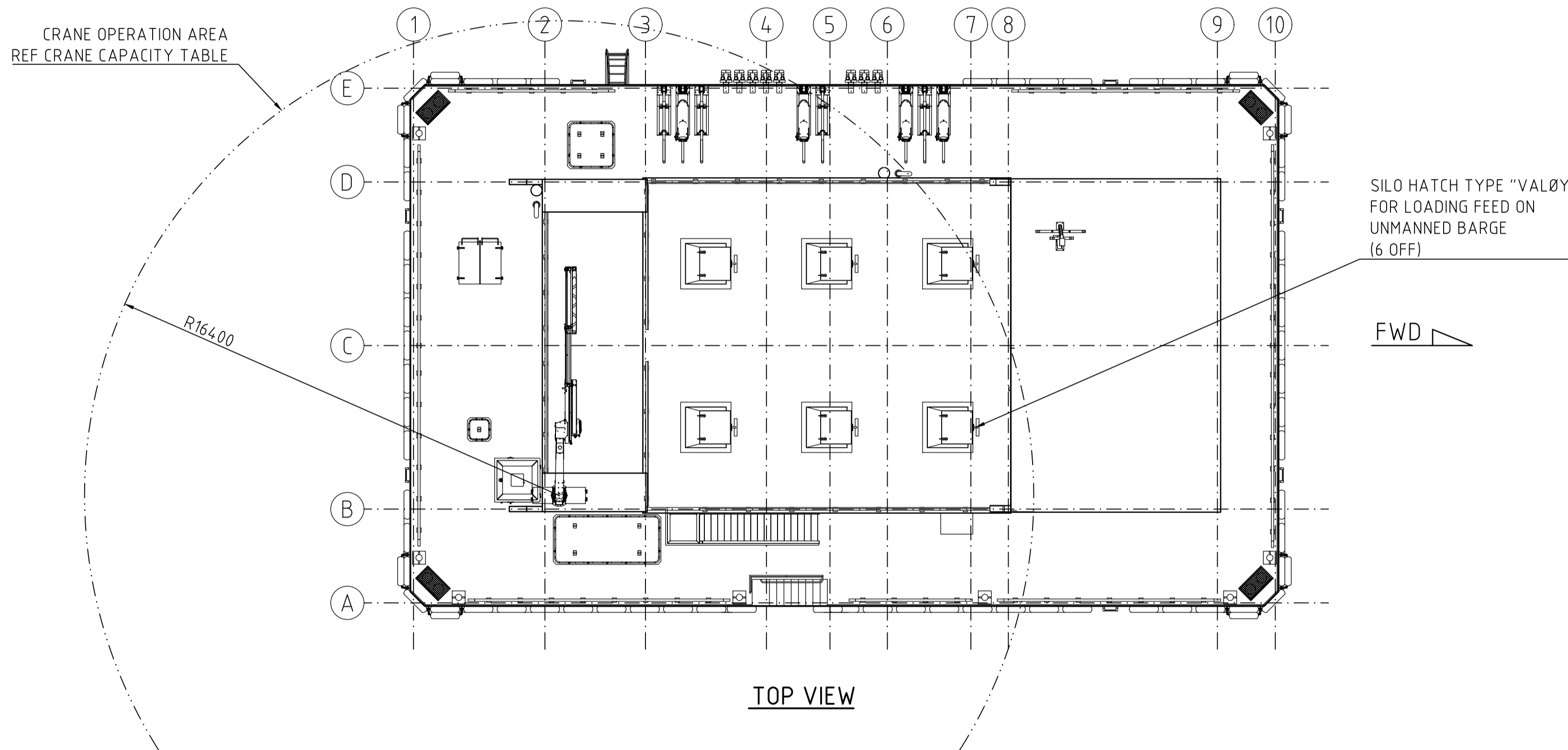
FWD SIDE



STARBOARD SIDE



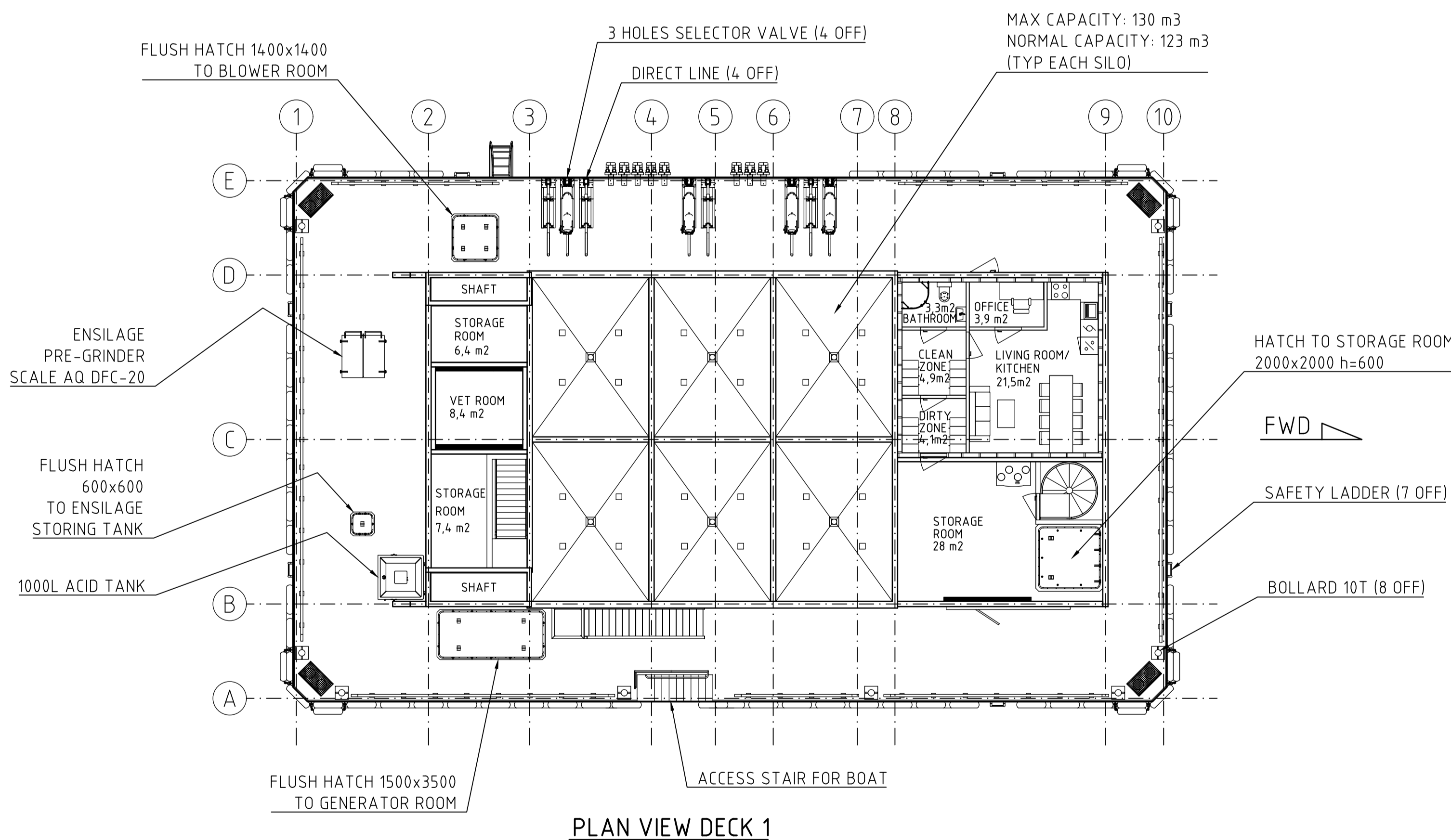
AFT SIDE



TOP VIEW

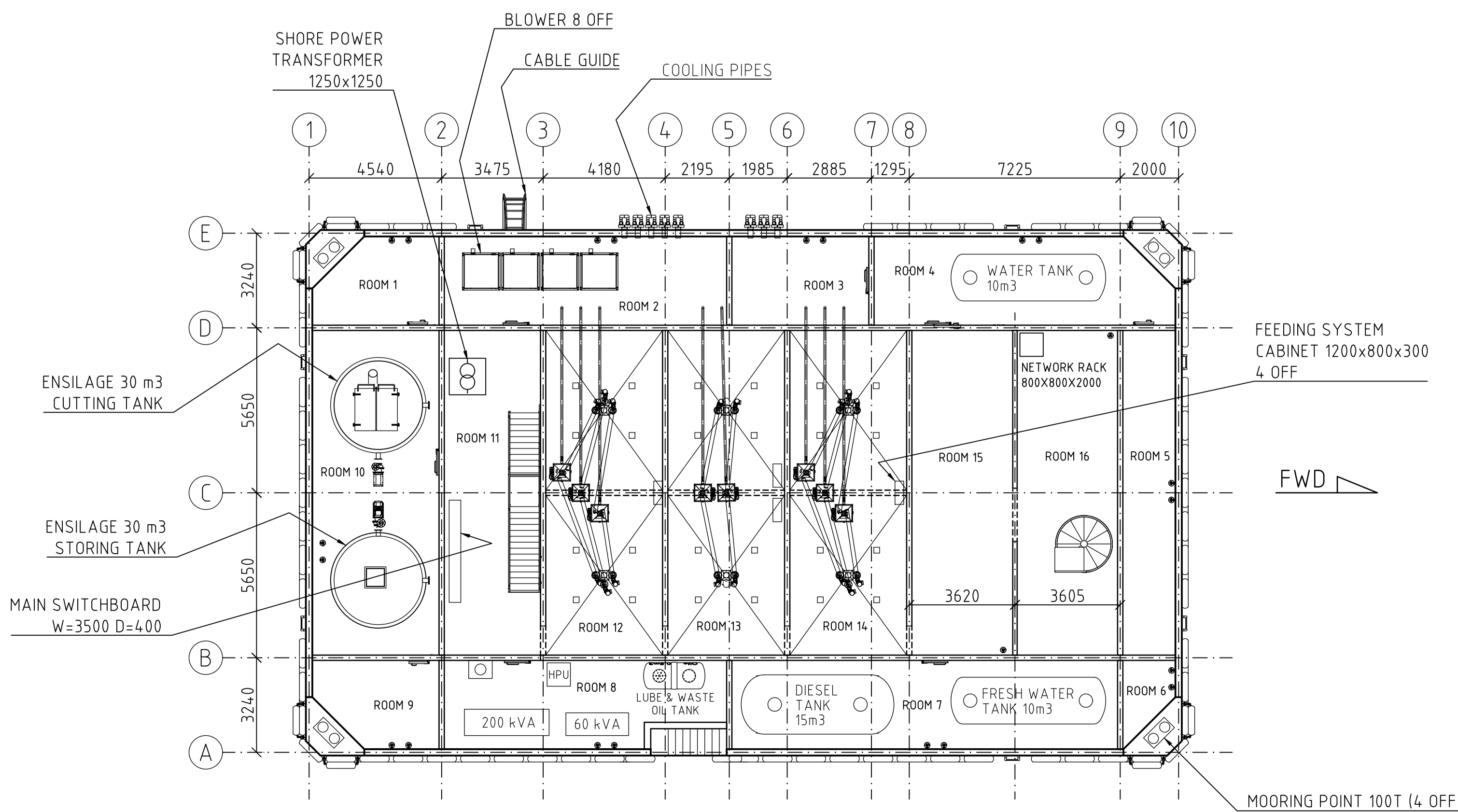
CRANE CAPACITY TABLE		
OUTREACH	RANGE (mm)	* MAX LOAD (kg)
2	7900	2750
3	10000	2050
4	12100	1580
5	14200	1180
6	16400	900

\* LIFTING CAPACITY SHOWN IN HOOK MODE.  
USED IN WINCH MODE, THE LIFTING CAPACITY MUST BE REDUCED BY THE WEIGHT OF THE SPECIFIC WINCH.



PLAN VIEW DECK 1

MAIN DIMENSIONS		
LENGTH:	30	METERS
BREADTH:	18	METERS
DEPTH:	5,0	METERS
SILO CAPACITY		
SILO QUANTITY:	6	TON/SILO
SILO CAPACITY:	82	TON/SILO
TANK CAPACITY		
FRESH WATER TANK:	1x10	m <sup>3</sup>
TECHNICAL WATER TANK:	1x10	m <sup>3</sup>
FUEL TANK:	1x15	m <sup>3</sup>
ENSILAGE TANK:	2x30	m <sup>3</sup>
EQUIPMENT		
FEED SYSTEM w/ 8 LINES & 16 AUGERS	1x60	kVA
GENERATOR:	1x200	kVA



PLAN VIEW DECK 0

ISSUED FOR INFORMATION				
Revision	Comments	JV	PIA	Designer/Approved
0				
1				
2				
3				
4				
5				
6				
7				
8				
9				
10				
11				
12				
13				
14				
15				
16				
17				
18				
19				
20				

This document is the property of Scale Architecture AS. This document and any authorized reproduction thereof, must not be used in any way against the interest of Scale Architecture AS. Any authorized reproduction, in whole or in part, must include this legend.

Designer: JV Approved by: PIA Sheet: 0 Rev: Projection: Scale Architecture AS  
 Created date: 26/02/21 Approved date: 26/02/21 Weight (kg): 0 Size: A0 Scale: 1:125  
 \*Not specified tolerances: AS-ISO-2768-1-M  
 -Remove all burrs and sharp edges  
 -General Ra 3.2

Description: FEED BARGE, NOVA CONCRETE 500T BASIC  
 Description: GENERAL ARRANGEMENT  
 Drawing number: NCS008-101-001