

SCALE **AQ**

Feed  
cannons



An underwater photograph showing a school of small fish swimming in dark water. The water is filled with numerous bubbles, and the lighting is dim, creating a moody atmosphere. The fish are scattered throughout the frame, with some appearing closer to the camera and others further away.

## Content

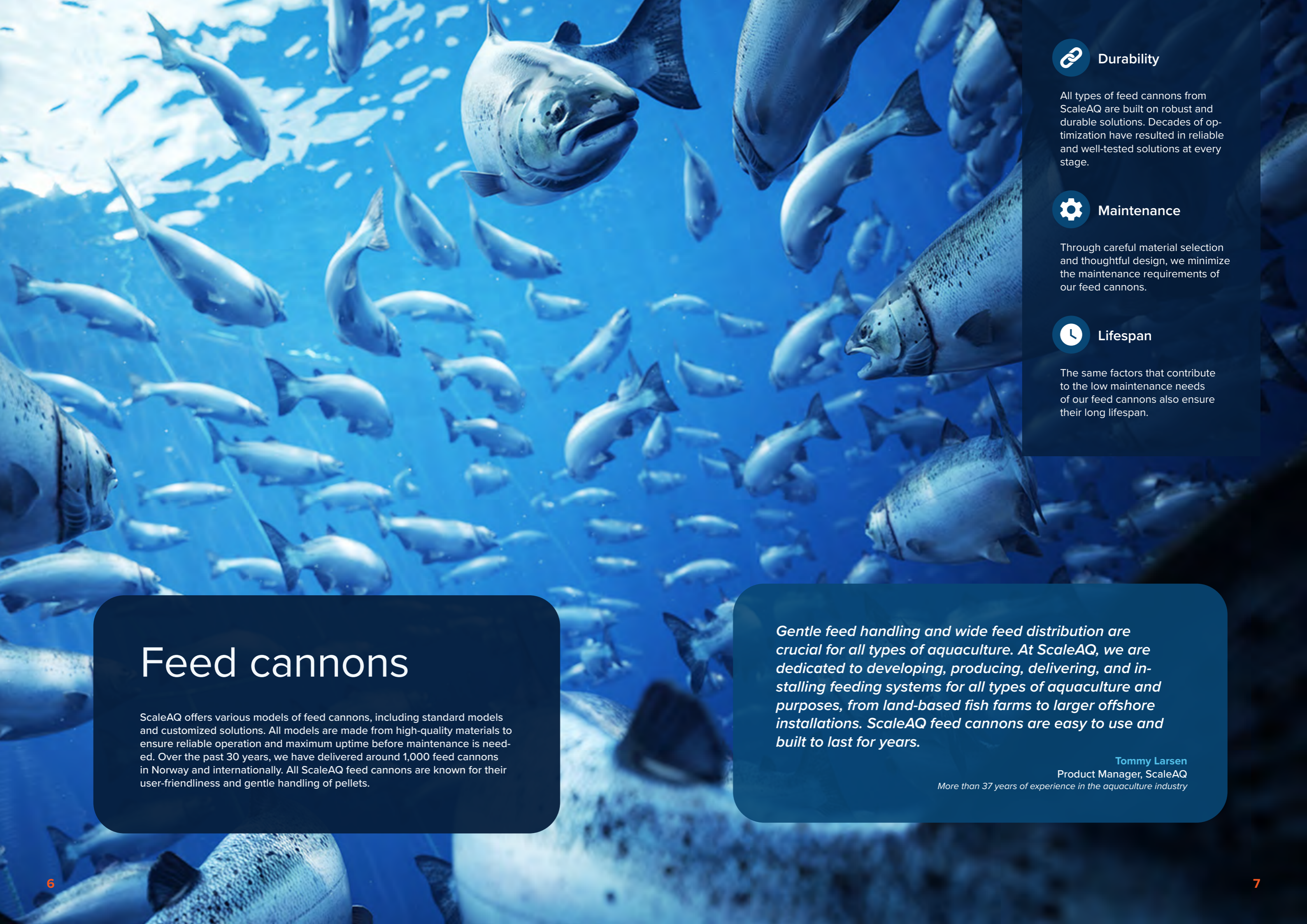
- 04 About ScaleAQ
- 06 Feed cannons
- 08 Flexi feed cannon
- 10 Flexi feed cannon – electric
- 12 Integrated Flexi feed cannon
- 14 Portable feed cannon
- 16 Portable feed cannon – electric





ScaleAQ is a leading global technology provider that supplies and manufactures complete sites for the aquaculture industry in more than 40 countries. The company has approximately 900 employees and offices in Norway, Scotland, Poland, Iceland, Chile, Canada, Tasmania and Vietnam. Through focus on sustainability and biology, ScaleAQ has taken a clear role in ensuring the development of technology on the terms of biology and the environment. We do this by producing and delivering technology, infrastructure and services in a solid, sustainable and innovative way.





# Feed cannons

ScaleAQ offers various models of feed cannons, including standard models and customized solutions. All models are made from high-quality materials to ensure reliable operation and maximum uptime before maintenance is needed. Over the past 30 years, we have delivered around 1,000 feed cannons in Norway and internationally. All ScaleAQ feed cannons are known for their user-friendliness and gentle handling of pellets.

*Gentle feed handling and wide feed distribution are crucial for all types of aquaculture. At ScaleAQ, we are dedicated to developing, producing, delivering, and installing feeding systems for all types of aquaculture and purposes, from land-based fish farms to larger offshore installations. ScaleAQ feed cannons are easy to use and built to last for years.*

**Tommy Larsen**

Product Manager, ScaleAQ

*More than 37 years of experience in the aquaculture industry*



## Durability

All types of feed cannons from ScaleAQ are built on robust and durable solutions. Decades of optimization have resulted in reliable and well-tested solutions at every stage.



## Maintenance

Through careful material selection and thoughtful design, we minimize the maintenance requirements of our feed cannons.



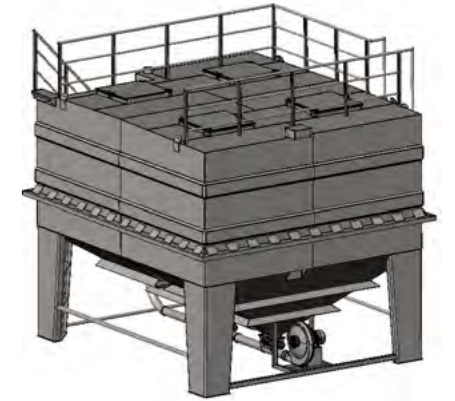
## Lifespan

The same factors that contribute to the low maintenance needs of our feed cannons also ensure their long lifespan.



# Flexi feed cannon

- Large feeding capacity
- Reliable
- Detailed feeding data



Our Flexi feed cannon concept was developed in 1991 and we have since supplied over 600 systems to companies in Norway and abroad. The machine is extremely gentle with the pellet, easy to control and can be adapted to your specific needs. It is a perfect supplement in periods of particularly intensive feeding, or during start-up feeding. The machine itself can be used as a feeding system with measuring functions that can provide detailed feedback on the amount of feed distributed. The system is also often used to move feed and fill feeding machines.

A high capacity fan, 6" pipes and specially developed cell feeder/doser ensures that the feed arrives at the fish undamaged. Most functions can be controlled via a hand-held PLS with touch screen. The amount of feed can be adjusted seamlessly, while the pendulum function and fan can be started/stopped as required. The machine is perfect for intensive feeding. Feeding can be adjusted seamlessly from 5kg to 150 kg per minute. Hydraulic operation of all functions makes the machine extremely reliable. It is quiet and makes life easy for the farmer.

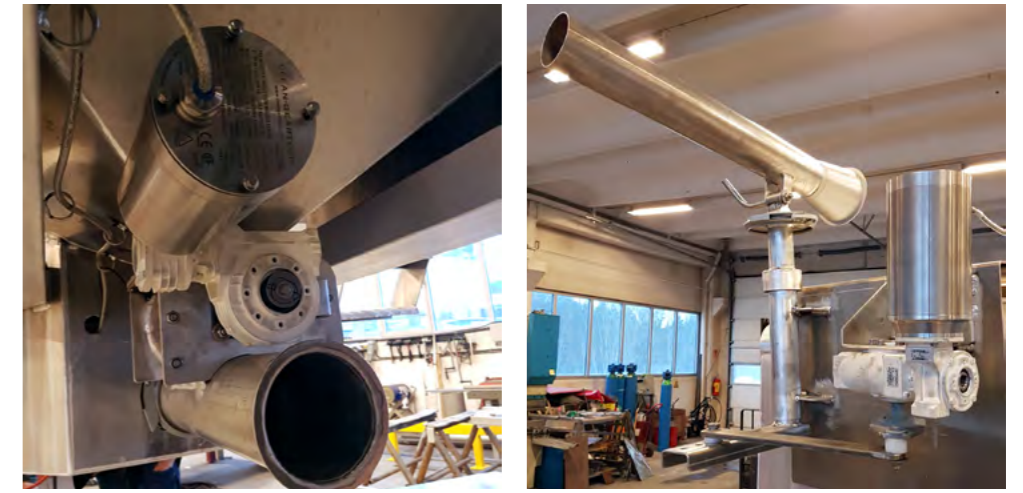
## Flexible

Flexi Feed Cannon is a flexible fish feeding system. Precise feeding data per pen is stored in PLS and the machine can be calibrated for up to 4 different pellet sizes. It is supplied on demand, which means there is plenty of opportunity to make adjustments to the silo and machinery. The system can be built into boats of different sizes in order to maximize the silo capacity, or it can be placed on deck with the possibility of moving it from boat to boat.

Specifications	
Feeding capacity	5 kg/min – 150 kg/min
Control	PLC with touch screen
Pipelines	6 inches
Hydraulic operation	40-50 l/min, 250 bar, 24V 5 A
Material	Seawater resistant aluminum
Silo capacity	Built according to customer requirements All feed cannons are delivered with sack splitters
Pellet size	Can be calibrated for up to 4 different sizes

# Flexi feed cannon – electric

- Large feeding capacity
- Reliable
- Detailed feeding data



Our Flexi feed cannon concept was developed in 1991 and we have since supplied over 600 systems to companies in Norway and abroad. The machine is extremely gentle with the pellet, easy to control and can be adapted to your specific needs. It is a perfect supplement in periods of particularly intensive feeding, or during start-up feeding. The machine itself can be used as a feeding system with measuring functions that can provide detailed feedback on the amount of feed distributed. The system is also often used to move feed and fill feeding machines.

A high capacity fan, 6" pipes and specially developed cell feeder/doser ensures that the feed arrives at the fish undamaged. Most functions can be controlled via a handheld PLS with touch screen. The amount of feed can be adjusted seamlessly, while the pendulum function and fan can be started/stopped as required. The machine is perfect for intensive feeding. Feeding can be adjusted seamlessly from 5kg to 150 kg per minute. Hydraulic operation of all functions makes the machine extremely reliable. It is quiet and makes life easy for the farmer.

## Flexible

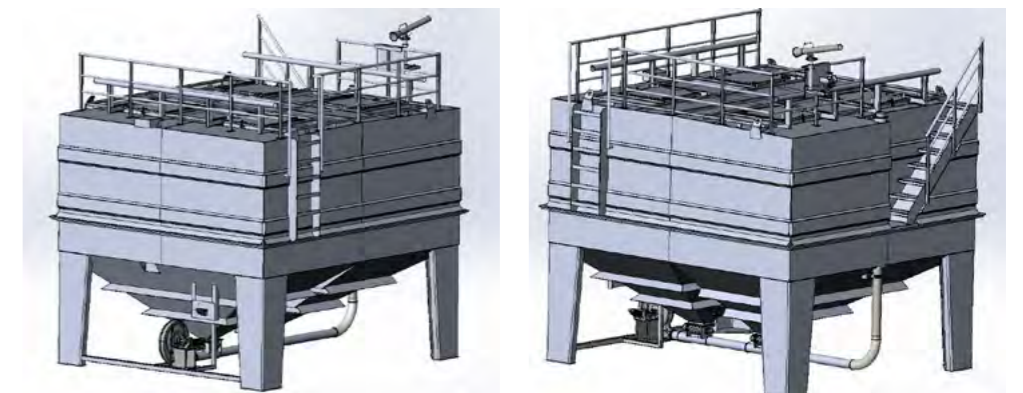
Flexi Feed Cannon is a flexible fish feeding system. Precise feeding data per pen is stored in PLS and the machine can be calibrated for up to 4 different pellet sizes. It is supplied on demand, which means there is plenty of opportunity to make adjustments to the silo and machinery. The system can be built into boats of different sizes in order to maximize the silo capacity, or it can be placed on deck with the possibility of moving it from boat to boat.

Specifications	
Feeding capacity	5 kg/min – 150 kg/min
Control	PLC with touch screen
Pipelines	6 inches
Electric operation	Approx. 10 kW, 230V/400V
Material	Seawater resistant aluminum
Silo capacity	Built according to customer requirements All feed cannons are delivered with sack splitters
Pellet size	Can be calibrated for up to 4 different sizes



# Integrated Flexi feed cannon

- Adapted to the customer's needs
- Reliable
- Safe and comfortable feeding



Flexi feed cannons can be easily adapted to various vessels, cars, tractors etc.. Through cooperation with shipyards or the like, we can adapt the feed cannon to new builds, retrofits or other.



# Portable feed cannon

- Easy to transport
- High feeding capacity
- Simple to use



250 kg model



750 kg model

ScaleAQ's feed cannons were first developed in 1990 and have been continuously optimized since then. The standard models are produced with silo capacities of 250 and 750 kg. These are lightweight and simple constructions designed to be easily moved to where they are needed. The machines have high air capacity and good throwing distance. The feed output can be adjusted via a quantity adjustment valve. The silos are made of aluminum and can be customized to meet customer requirements. Both versions of the feed cannons are powered by a robust gasoline engine with a specially developed fan. The feed cannon has a maximum capacity of 60–70 kg/min.

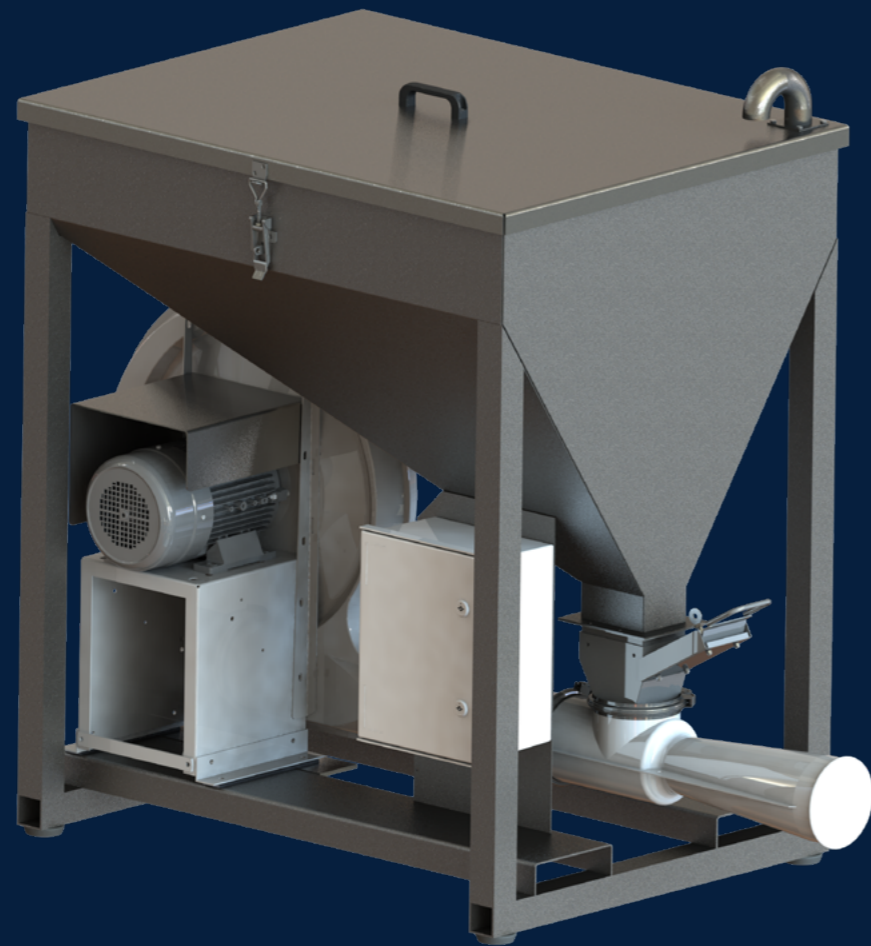
## Specifications

Silo capacity	250 kg or 750 kg
Material	Silo in seawater resistant aluminum
Feeding capacity	60–70 kg/min
Honda petrol engine	GX390, 13hk
Maximum petrol engine speed	3600 o/min
Fan	HSV 180 B1, RD270
Tubes and pipes	6 inches (internal ø150mm)
External dimensions	750 kg = 1,5 x 1,5 x 1,7 m 250 kg = 0,9 x 0,9 x 1,35 m



# Portable feed cannon – electric

- Easy to transport
- High feeding capacity
- Simple to use



250 kg model



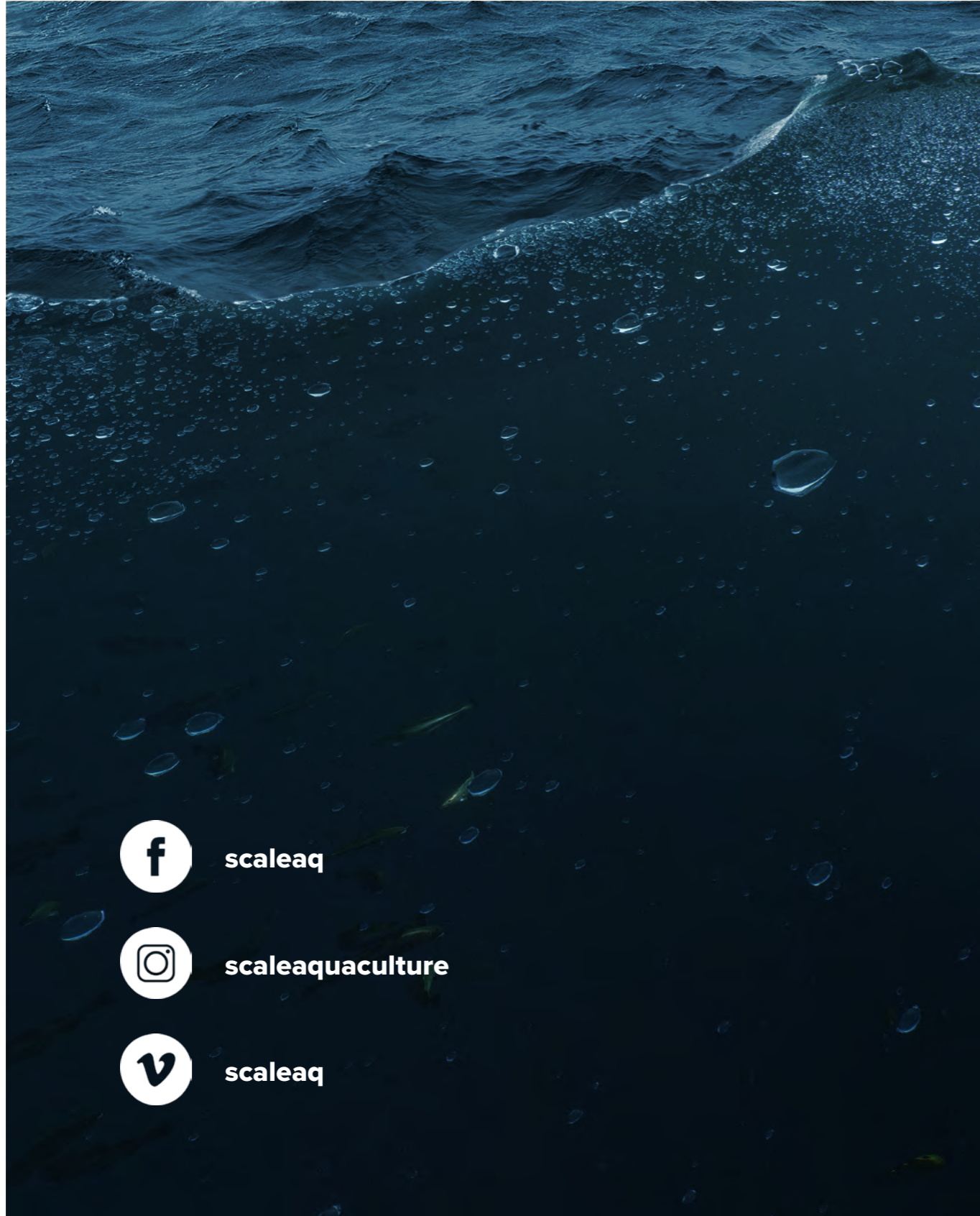
750 kg model

ScaleAQ's feed cannons were first developed in 1990 and have been continuously optimized since then. The standard models are produced with silo capacities of 250 and 750 kg. These lightweight and simple constructions are designed to be easily moved to where they are needed. The machines have high air capacity and excellent throwing distance. The feed output is adjustable via a quantity control valve. The silos are made of aluminum and their capacity can be customized to meet customer needs. Both versions of the feed cannons are powered by a robust electric motor with an attached fan. The feed cannon has a maximum capacity of 60–70 kg/min.

## Specifications

Silo capacity	250 kg or 750 kg
Material	Silo in seawater resistant aluminum
Feeding capacity	60–70 kg/min
Electric engine	4 kW 230V/400V
Fan	HSV 180 B1, RD270
Tubes and pipes	6 inches (internal $\varnothing$ 150mm)
External dimensions	750 kg = 1,5 x 1,5 x 1,7 m 250 kg = 0,9 x 0,9 x 1,35 m





scaleaq



scaleaquaculture



scaleaq



## CONTACT

[sales@scaleaq.com](mailto:sales@scaleaq.com)

+47 488 52 488

